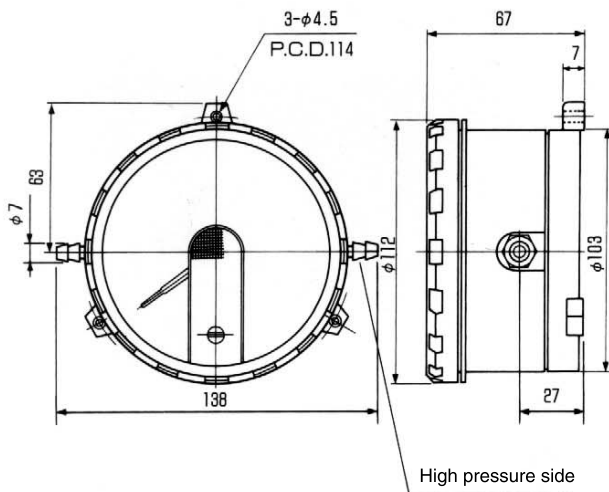


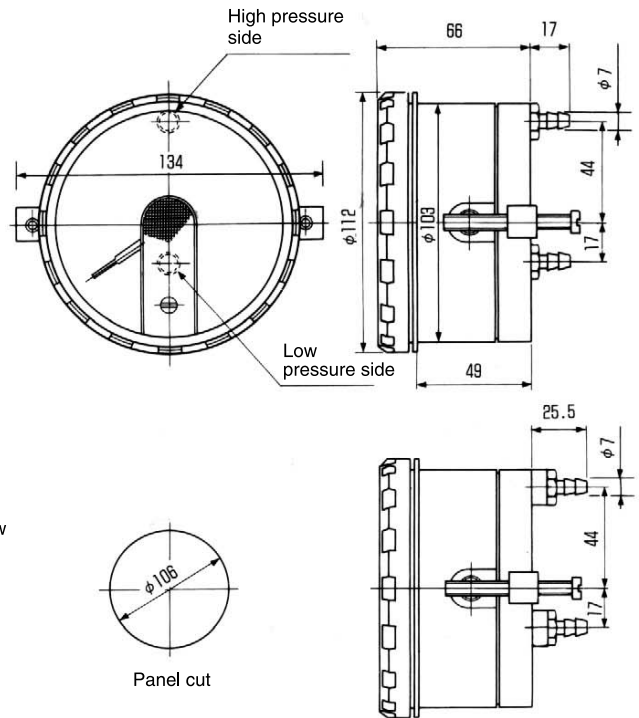
Outline dimensions

783-BL



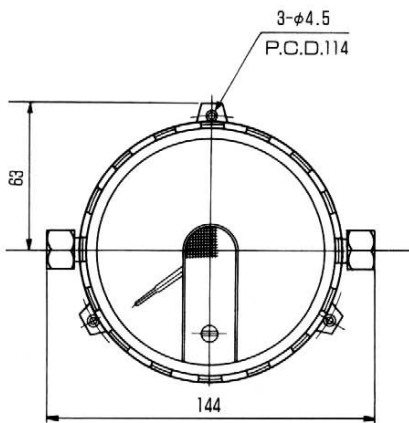
The high pressure side and the low pressure side can be reversed by exchanging the right and left stepped joints.
 [High pressure side (Red)]
 [Low pressure side (Blue)]

783-DL



0~10, 20, 30
 In the case of 1~0~1 kPa

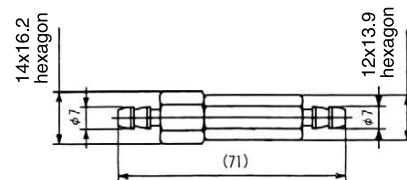
783-BR



Accessory

Pulsation dampener

Attach the pulsation dampeners on to the high pressure and low pressure sides when the pointer is unsteady due to the turbulent flow and pulsation of the measuring gas.



Model	Applied range kPa
21SD-L2	Less than 0.2 of full scale
21SD-L3	0-03, 0-05, 0-1
21SD-L4	0-2, 0-3, 0-5
21SD-L5	0-10
21SD-L6	0-20, 0-30